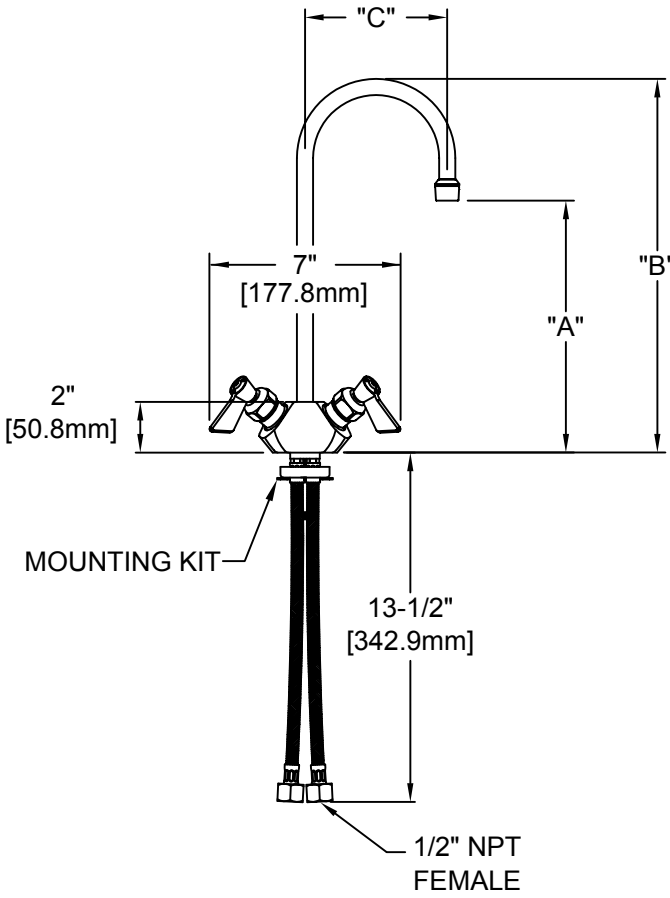


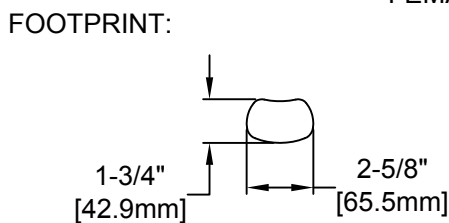
APPLICATION:
 JOB NAME:
 QUANTITY: ITEM NO.:

PRODUCT NAME:
SINGLE DECK DUAL CONTROL FAUCET
 _____ SPECIAL CONFIGURATION
 (CHECK BASE MODEL AND OPTIONS)
 MODEL:
 3116 W/ 12" RIGID GOOSENECK SPOUT
 3126 W/ 6" RIGID GOOSENECK SPOUT

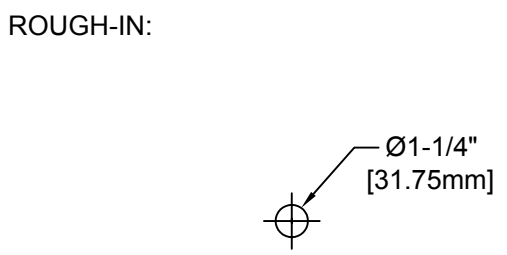


OPTIONS OR MODIFICATIONS:
 SUPPLY LINES (24" OR 36") CIRCLE LENGTH
 VANDAL RESISTANT KIT
 HANDLES (CROSS OR WRIST) CIRCLE STYLE
 OTHER _____

FEATURES:
 * SINGLE DECK, DUAL CONTROL
 * SWIVELING SEAT DISKS
 * HOT SIDE STEM - RIGHT HAND
 * COLD SIDE STEM - LEFT HAND
 * STAINLESS STEEL SEATS
 * STAINLESS STEEL SEAT SCREWS
 * STAINLESS STEEL HANDLE SCREWS
 * FLEXIBLE INLET HOSES
 SYSTEM LIMITS
 * TEMP: 40°F MIN. TO 140°F MAX.
 * PRESSURE 200 PSI MAX. STATIC
 * 2.20 GPM AT 80 PSI



MODEL	DIM "A"	DIM "B"	DIM "C"
3116	9" [228.6mm]	13" [330.2mm]	5-1/2" [139.7mm]
3126	5" [127.0mm]	8-1/2" [215.9mm]	3-1/2" [88.9mm]



SHIPPING WEIGHT
 * 4.5 LBS